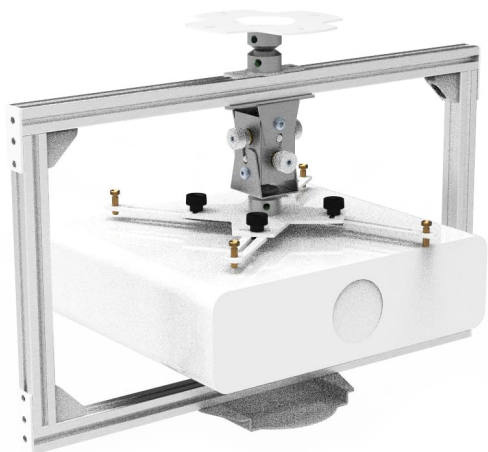




ARAKNO IRIS

SKU: 20700



Net weight	2 kg
MAX LOAD	45 kg
Support rotation angle	360°
Camera tilt angle	360°
Material	Fe (structure)
Treatments	Powder coated
Dimension	430x370x110 mm

Categories: [Arakno](#), [Video Projector Mounts](#)

The new support line for cameras is based on the ARAKNO technology.

Arakno Iris is a new camera support to be used in combination with professional video-projectors. This support can be easily placed onto the ARAKNO support and makes it possible to install the camera in both flat and inclined positions. The structure is made of steel, with black powder coating.

[QUOTATION REQUEST](#)

×

REQUEST A QUOTATION

Name *



Surname *

Company *

Email *

Message

I have read the information on the Privacy Policy and authorize the processing of personal data (*)

[Privacy Policy](#)

x



GALLERY

