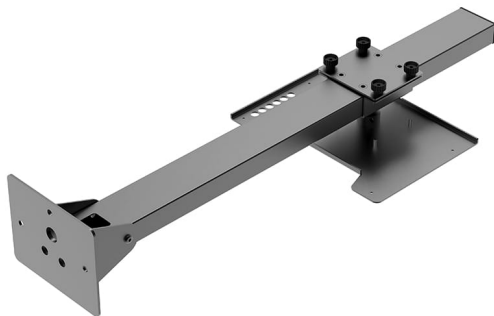




## ARM WALL BLACK

SKU: 27279



<b>Typology</b>	Wall Mounts
<b>Material</b>	Iron-Aluminum
<b>Compatibility</b>	EPSON EB L815
<b>Length</b>	900 mm
<b>Dimension</b>	160X200mm
<b>Treatments</b>	Powder coated
<b>Color</b>	Black

---

**Categories:** [Educational Video Projector](#), [Video Projector Mounts](#)

### Wall bracket for projectors.

- Internal wiring
- Millimetre adjustment
- Length up to 900 mm

[REQUEST A QUOTE](#)

x

**REQUEST A QUOTE**

Nome \*



Cognome \*

Azienda \*

Email \*

Messaggio \*

Ho letto l'informativa sulla Privacy Policy e autorizzo il trattamento dei dati personali (\*)

[Leggi la nostra Privacy Policy](#)

Invia

x



## GALLERY

