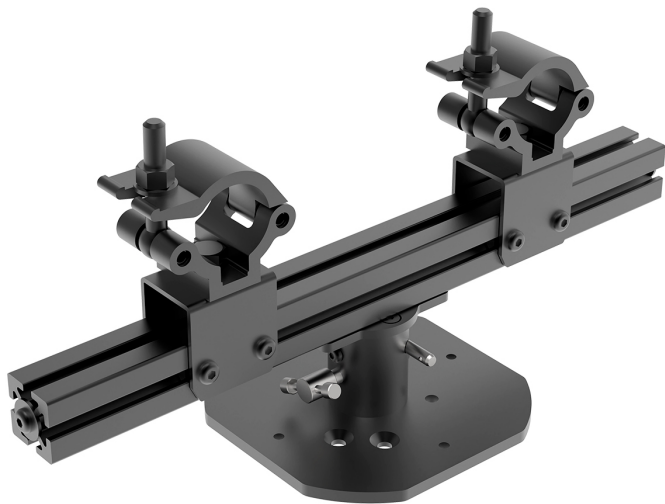




## DOUBLE ROKSY

SKU: 25736



<b>Material</b>	Iron – Aluminum
<b>Profile section</b>	40 mm
<b>continuous adjustment</b>	YES
<b>clamp fixing screw</b>	M12
<b>VESA</b>	100×100
<b>packaging</b>	550 x 180 x 250 mm

---

Categories: [Advanced Kalibration Systems](#), [Matrix](#)

### Double Roksy, 360° rotation support with 2 clamps.

- Rotation system at 360°
- System with quick detachment connection with Pin
- System that can be fixed safely and permanently once the right position has been found
- System includes a double clamp system which guarantees greater stability
- The system has a 100X100 VESA connection which allows it to be used both with all Euromet products but also with third-party solutions

[REQUEST AN OFFER](#)

x

**REQUEST AN OFFER**



Nome \*

Cognome \*

Azienda \*

Email \*

Messaggio \*

Ho letto l'informativa sulla Privacy Policy e autorizzo il trattamento dei dati personali (\*)

[Leggi la nostra Privacy Policy](#)

Invia

x



## GALLERY

