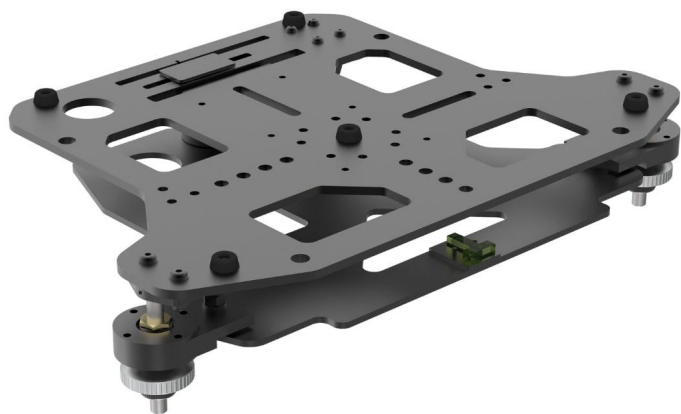




FALKON

SKU: 23000



installation	Hanging
Material	Iron – Aluminum
Treatments	Powder coated
Color	Black
Calibrazione	X, Y, Z axis: 8°, rotation: 6°.

Categories: [Advanced Kalibration Systems](#), [Kite - Falcon](#)

Falcon , truss large venue projector bracket with micrometrical calibration

- Calibration system in the 3 micrometric axes by 8°
- 3 points of regulation independent and connected
- System of micrometric rotation for 6°
- Quick coupling system for hydrofoils or for accessories of the Euromet line
- Minimum space between projector position and truss or ceiling support
- Easy installation in all possible orientations, landscape, portrait and floor

Compatibility:

DLP A 3 CHIP <35.000 LM

DLP A 1 CHIP

[REQUEST AN OFFER](#)

x



REQUEST AN OFFER

Nome *

Cognome *

Azienda *

Email *

Messaggio *

Ho letto l'informativa sulla Privacy Policy e autorizzo il trattamento dei dati personali (*)

[Leggi la nostra Privacy Policy](#)

Invia

x



GALLERY

