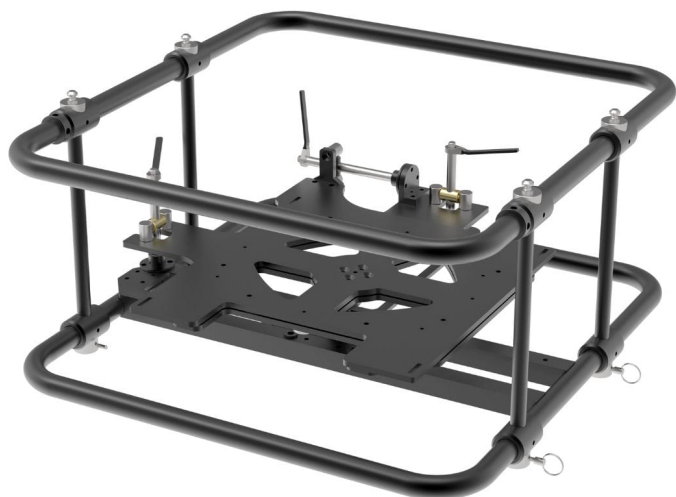




KALIBRO D STANDARD

SKU: 20900



Material	Iron-Aluminum
removable bar	YES
Pitch	+/-3°
Roll	+/-3°
Yaw	+/-5°
Dimension	710 x 735 _ 340 (390) [mm]
Packaging Dimensions	770 x 770 _ h410 [mm]

Categories: [Kalibro](#)

Cage made up of a single welded body of iron pipes, the structure is extremely resistant and guarantees perfect fixing of the support in the case of ceiling or wall installation; in landscape, portrait or floor projection.

Thanks to a special pin system, it is possible to stack several cages together, while still guaranteeing the independent calibration of each projector.

The micrometric adjustment on the 3 rotation axes takes place by means of special knobs or ratchet wrenches, thus obtaining the perfect centering and perpendicularity of the lens with respect to the projection surface, in order to improve the focus, the definition of the image or saving on the power of the projector.

FLIGHT CASE:

- 22841: normal FLIGHT CASE with standard accessory drawer 40x17x8 [cm]
- 22851: FLIGHT CASE with additional side container (depth 15 cm) without divider
- 22827: OPTIONAL PARTITION, possibly to be ordered together with code 22851



**Compatible with these video-projectors:*

EPSON (EB-L1xxx):

EB-L1000U, EB-L1100U, EB-L1200U, EB-L1300U, EB-L1405U, EB-L1490U, EB-L1495U, EB-L1500UH, EB-L1505UH, EB-L1710S, EB-L1715S, EB-L1750U, EB-L1755U.

EPSON (EB-L10xx):

EB-L1070U, EB-L1075U, EB-L1060U, EB-L1065U, EB-L1050U, EB-L1070W, EB-L1060U.

EPSON (EB-PU1xxx-20xx):

PU-2008

EPSON (EB-PU22xx-21xx):

PU-2220

Panasonic:

Panasonic PT-DZ21K, Panasonic PT-RZ21K, Panasonic PT-RZ12K, Panasonic PT-RQ22K, Panasonic PT-RQ13K, Panasonic PT-RS20K, Panasonic PT-RS11K, Panasonic PT-DS20K, Panasonic PT-DZ16K, Panasonic PT-DW17K

Stacking

With support on the ground: Approved for up to 3 cages

With ceiling attachment: Approved for up to 2 cages

IMQ certification

EN 62368-1:2014+A11:2017 clause 8.7

Compatibility

Even with third-party cages



[QUOTATION REQUEST](#)

x

QUOTATION REQUEST

Name *



Surname *

Company *

Email *

Message

I have read the information on the Privacy Policy and authorize the processing of personal data (*)

[Privacy Policy](#)

x



GALLERY

