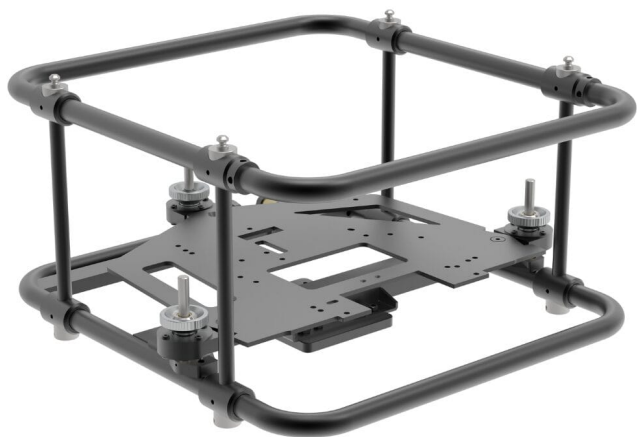




## KALIBRO, STACKING AND RIGGING FRAME CAGE PT RZ660 AND SIMILAR "NEW VERSION"

SKU: 18600



<b>Material</b>	Aluminum
<b>Dimension</b>	70,0×68,0x45,0 cm
<b>Weight</b>	20 kg
<b>Pitch</b>	+/-3°
<b>Roll</b>	+/-3°
<b>Yaw</b>	+/-5°

---

Categories: [Kalibro](#)

### Microadjustable Rigging cage for PANASONIC PT-RZ660 & PT-RCQ10 videoprojector mounting

Robust, resistant, and engineered for video-projection. Thanks to its micro-adjustment capability on all three axes, utilizing keys and ratchet mechanisms, it provides optimal focus as well as centering of image.

*\*Compatible with these video projectors series:*

*Panasonic PT-RZ570*

*Panasonic PT-DW730*

*Panasonic PT-DW740*

*Panasonic PT-DW750*

*Panasonic PT-DZ770K*

*Panasonic PT-DZ780*

*Panasonic PT-DX800*

*Panasonic PT-DX810*



*Panasonic PT-DX820*  
*Panasonic PT-RW620*  
*Panasonic PT-RW630*  
*Panasonic PT-RZ660*  
*Panasonic PT-RZ670*  
*Panasonic PT-RW730*  
*Panasonic PT-RZ770*  
*Panasonic PT-RZ780*  
*Panasonic PT-RW930*  
*Panasonic PT-RZ970*  
*Panasonic PT-RW620*  
*Panasonic PT-RZ120*  
*Panasonic PT-DZ870K*  
*Panasonic PT-DW830*  
*Panasonic PT-DX100*  
*Panasonic PT-RCQ10*  
*Panasonic PT-RCQ80*  
*Panasonic PT-RQ7/RQ6 (RQ7L/RQ6L)*  
*Panasonic PT-RZ7/RZ6*

## **Stacking**

APPROVED FOR A MAXIMUM OF 3 STACKING CAGES

*Maximum Ground Stack: 3 Frames*

*Maximum Suspended Stack: 2 Frames*

## **Adjustment**

4 points of adjustment

2 control the Roll and Pitch adjustments

1 handles position the height of the projection

1 handle operates the Yaw adjustments

Wheels handle

Ratchet handle

## **Features**

3 different mounting positions: portrait, landscape  
and floor

Additional bars with aliscaff clamps for truss fastening

Removable bar extension (to adapt to different mounting positions without losing the removed bar)

K-TILT for truss fastening

Eyebolts for chain fastening



Swivel heads

**Compatibility**

With 3rd party stacking frame cage

[QUOTATION REQUEST](#)

x

**REQUEST A QUOTATION**

Name \*

Surname \*

Company \*

Email \*

Message

I have read the information on the Privacy Policy and authorize the processing of personal data (\*)

[Privacy Policy](#)

x



## GALLERY

