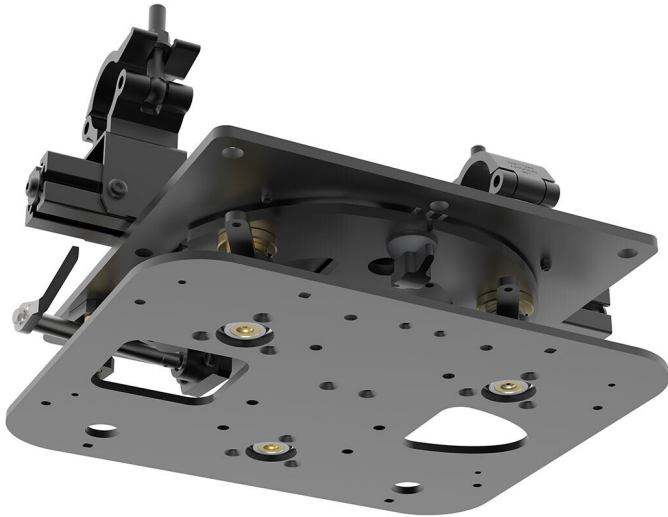




KITE ALFA

SKU: 28197



installation	Support system to the ceiling
Mode	Floor, Landscape, Portait
Material	Iron – Aluminum
Treatments	Powder coated
Color	Silver, Black
Pitch	+/- 3°
Roll	+/- 3°
Yaw	+/- 4°
clamp fixing screw	M10
standard attachment	YES
Dimension	390 x 362 x h.100 [mm]
packaging	410 x 380 x h.140 [mm]

Categories: [Advanced Kalibration Systems](#), [Kite - Falcon](#), [Matrix](#)

Projector support with micrometric calibration system on all three levels Axles.

**Compatibile per:*

DIGITAL PROJECTION: E-VISION LASER 4-15K

DIGITAL PROJECTION: E-VISION LASER 6,5-9K

VIVITEK: DU7098Z – DU7295Z

VIVITEK: DU8090Z – DU8395Z – DU 6298Z

NEC: PX803UL – PX1004UL

HITACHI – LP – WU9100B

OPTOMA: ZU1050-860



OPTOMA: ZK1050

OPTOMA zu725t

BENQ – LU9715_9215_9915

BENQ – PU9730

SONY – FHZ 120L

It is a micrometric adjustment system:

- +/- 3°: roll
- +/- 3°: pitch
- +/- 4°: yaw

Adjustment is achieved via the micrometric adjustment of three columns.

It is equipped with a standard EUROMET mount both above and below, allowing it to be attached in series with other optional accessories equipped with a standard mount.

On the lower plate, in addition to the standard mount, there is a provision for attaching a pair of clamps (not included; if necessary, order code 20977).

The KITE is equipped with comfortable rubber feet for possible ground support and a system that allows you to determine the 0 point and any subsequent adjustments.

IMQ Certification: EN 62368-1:2014+A11:2017 clause 8.7

[QUOTATION REQUEST](#)

×

REQUEST A QUOTATION

Name *

Surname *

Company *



Email *

Message

I have read the information on the Privacy Policy and authorize the processing of personal data (*)

[Privacy Policy](#)

Send

x



GALLERY

