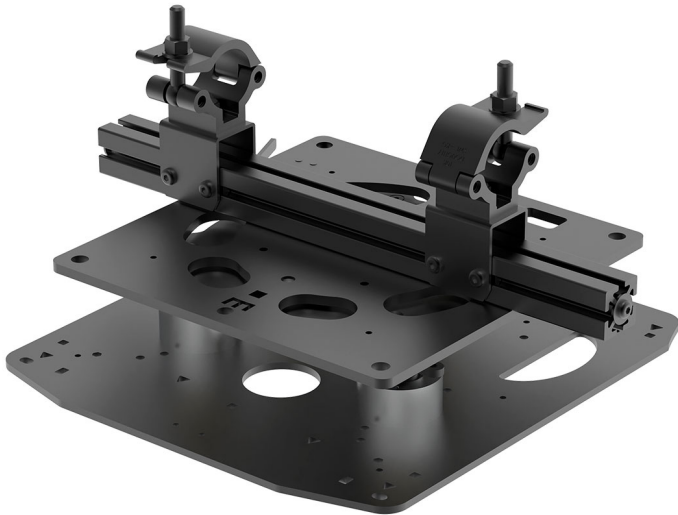




## KITE COMPACT EPSON

SKU: 24600



<b>installation</b>	Ground, Support system to the ceiling, Support system to the wall, Truss-mounted cage, Wall
<b>Mode</b>	Floor, Landscape, Portait
<b>Material</b>	Iron – Aluminum
<b>Treatments</b>	Powder coated
<b>Color</b>	Silver, Black
<b>Pitch</b>	+/- 3°
<b>Roll</b>	+/- 3°
<b>Yaw</b>	+/- 4°
<b>clamp fixing screw</b>	M10
<b>standard attachment</b>	YES
<b>Dimension</b>	390 x 362 x h.100 [mm]
<b>packaging</b>	410 x 380 x h.140 [mm]

---

Categories: [Matrix](#)

Projector mount with micrometric calibration system on three axes:

- +/- 3°: roll
- +/- 3°: pitch
- +/- 4°: yaw

Adjustment is achieved by rotating three turned brass elements.

It features a standard EUROMET mount both above and below, allowing it to be attached in series with other optional accessories with standard mounts.

The upper plate can be used to attach the MATRIX (both ALFA and BETA) or the entire EPSON EB and PU series



projectors (same compatibility as the 20900 cage).

The lower plate, in addition to the standard mount, is equipped with a provision for attaching a pair of clamps (which are not included; if necessary, order code 20977).

The KITE is equipped with comfortable rubber feet for floor positioning and a system that allows you to determine the zero point and make any subsequent adjustments.

**Compatibility:** EPSON EBPQ2220 projectors and similar models

**Certification IMQ:** EN 62368-1:2014+A11:2017 clause 8.7

[REQUEST A QUOTE](#)

×

## REQUEST A QUOTE

Nome \*

Cognome \*

Azienda \*

Email \*

Messaggio \*

Ho letto l'informativa sulla Privacy Policy e autorizzo il trattamento dei dati personali (\*)

[Leggi la nostra Privacy Policy](#)

Invia



x



## GALLERY

