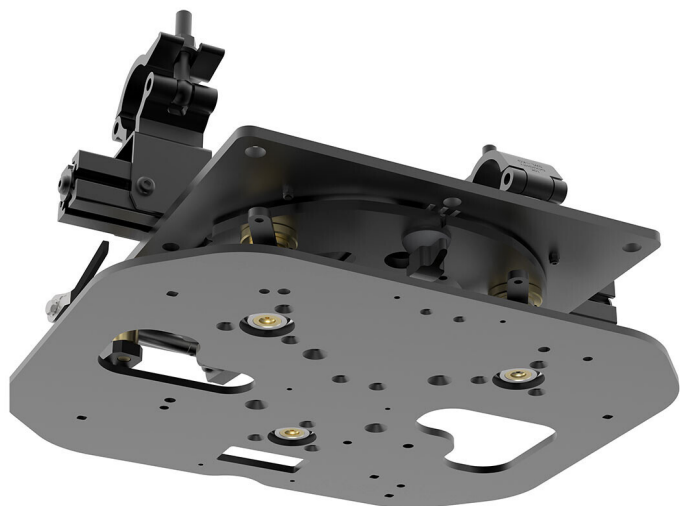




KITE PANASONIC

SKU: 28198



installation	Ground, Support system to the ceiling, Support system to the wall, Truss-mounted cage, Wall
Mode	Floor, Landscape, Portait
Material	Iron – Aluminum
Treatments	Powder coated
Color	Silver, Black
Pitch	+/- 3°
Roll	+/- 3°
Yaw	+/- 4°
clamp fixing screw	M10
standard attachment	YES
Dimension	390 x 362 x h.100 [mm]
packaging	410 x 380 x h.140 [mm]

Categories: [Advanced Kalibration Systems](#), [Kite - Falcon](#), [Matrix](#)

Projector mount with micrometric calibration system on three axes.
It is a micrometric adjustment system:

- +/- 3°: roll
- +/- 3°: pitch
- +/- 4°: yaw

Adjustment is performed via the micrometric adjustment of three columns.

It is equipped with a standard EUROMET attachment both above and below, so it can be attached in series with other optional accessories equipped with a standard attachment.



In addition to the standard mount, the bottom plate also features a provision for attaching a pair of clamps (not included; order code 20977).

The KITE is equipped with comfortable rubber feet for ground support and a system that allows you to determine the zero point and make any subsequent adjustments.

IMQ certification: EN 62368-1:2014+A11:2017 clause 8.7

[QUOTATION REQUEST](#)

x

REQUEST A QUOTATION

Name *

Surname *

Company *

Email *

Message

I have read the information on the Privacy Policy and authorize the processing of personal data (*)

[Privacy Policy](#)

Send

x



GALLERY

