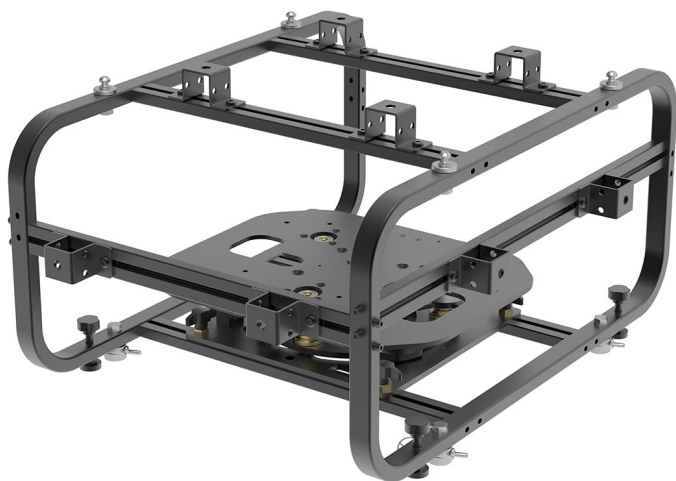




NEKST SMALL

SKU: 27600



Material	Iron – Aluminum
pipe section	30×20 mm
Color	Black
Treatments	Powder coating
attachment thread	M8
electrical insulation projector	YES
Dimension	595 x 690_h436 [mm]
packaging	605 x 700 x_h446 (mm)

Categories: [Advanced Kalibration Systems](#), [Matrix](#), [Nekst](#)

Fly rental stacking rigging cage with metrometrical calibration system on 3 axis.

**Compatibility:*

PT-VMZ 26 ST

Epson EBL360

Features:

- The cage allows the use of clamps directly in its structure, facilitating installation and speed of application.
- The calibration system is provided by the dedicated KITE system, which allows for micrometric and calibrated adjustment on all 3 axes and calibrated rotation.
- The Kite can also be removed using innovative captive screws.



- The system can also be used without the cage for faster installation or with special lenses such as ultrashort lenses.
- The Kite can also be moved within the cage, allowing for adjustment of the zoom or center of gravity.
- The cage also has an adjustable foot system that allows for easy projection even when supported.
- The stacking system also allows the projectors to be positioned one on top of the other.
- The cage can be positioned in landscape, portrait, or floor modes using the stacking systems and feet.
- The cage's shape also allows for easy maneuverability and maintenance of the projector itself.
- The cage can also be used in stacking mode, even alone. with another Kite, thus allowing for a faster and more economical installation.



GALLERY

