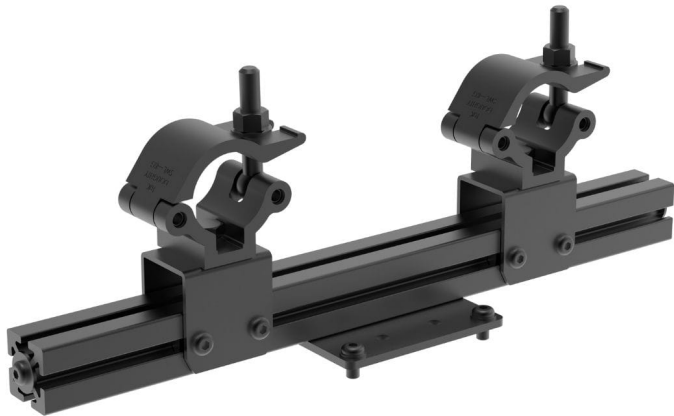




UP-BAR, BAR WITH 2 SLIDING CLAMPS AND VESA 100X100

SKU: 23046



installation	Truss-mounted cage
Mode	Floor, Landscape, Portait
Material	Iron – Aluminum
Treatments	Powder coated
Color	Silver, Black
clamp fixing to truss	48 – 51 mm
SWL (SAFE WORKLOAD)	500 Kg (each Clamp)
buttonhole adjustment range	Up to 400 mm
clamp fixing screw	M12
standard attachment	YES
Dimension	120 x 480 _ 170 [mm]
packaging	140 x 500 _ h190 [mm]

Categories: [Flat Panel Mounts](#), [Kalibro](#), [Matrix](#)

This accessory consists of a plate with standard Euromet fastening system and an aluminium profile for 2 clamps.

By fixing the plate to the cage and sliding the clamps along the profile, the required centre distance for fixing the system is easily achieved.

The Clamps used (compatible with the main Ø550 mm truss versions) have a 500kg weight capacity each, with fastening distance up to 400 mm.



Compatibility: all EUROMET products with standard connection

Certification IMQ: EN 62368-1:2014+A11:2017 clause 8.7

[QUOTATION REQUEST](#)

x

REQUEST A QUOTATION

Name *

Surname *

Company *

Email *

Message

I have read the information on the Privacy Policy and authorize the processing of personal data (*)

[Privacy Policy](#)

Send

x



GALLERY

