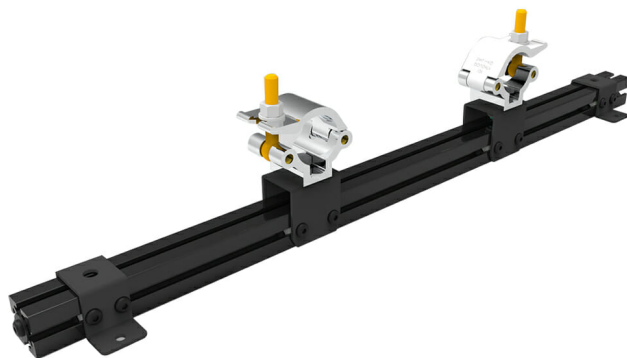




## OPTIONAL UNIKA - ADDITIONAL PROFILE WITH 2 CLAMPS (LANDSCAPE)

SKU: 19563



**installation** Truss-mounted cage

**Mode** Landscape

**Material** Iron – Aluminum

**Color** Silver, Black

**Treatments** Powder coated

**clamp fixing to truss** 48 – 51 mm

**SWL (SAFE WORKLOAD)** 500 Kg (each Clamp)

**clamp fixing screw** M12

---

Categories: [Unika](#)

It is a universal accessory compatible with all UNIKA cages, it allows the installation of a TRUSS cage in LANDSCAPE position, thanks to a system made up of a profile bar on which 2 Clamps are mounted. Both the bar and the Clamp can slide (thanks to a simple lock/unlock system), allowing them to be aligned (and the distance between them to be adjusted) in any installation situation.

The code corresponds to a single "profile bar + 2 Clamps" which can be used both individually and in pairs, based on the required stability and installation difficulty.

The Clamps used (compatible with most Ø50mm truss types) has a 500kg load capacity for each Clamp and are equipped with a simplified locking system.

**Compatible cages:** all UNIKA cages

**Certification IMQ:** EN 62368-1:2014+A11:2017 clause 8.7



[REQUEST A QUOTE](#)

x

## REQUEST A QUOTE

Nome \*

Cognome \*

Azienda \*

Email \*

Messaggio \*

Ho letto l'informativa sulla Privacy Policy e autorizzo il trattamento dei dati personali (\*)

[Leggi la nostra Privacy Policy](#)

Invia

x



## GALLERY

