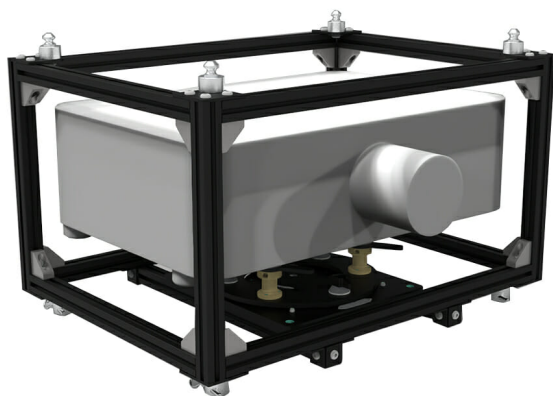




## UNIKA 30.06 – PANASONIC LCD SOLID SHINE LASER

SKU: 23541



<b>Material</b>	Aluminum with iron reinforcements
<b>Profile section</b>	30 mm
<b>Pitch</b>	+/- 3°
<b>Roll</b>	+/- 3°
<b>Yaw</b>	+/- 4°
<b>Cage dimensions</b>	
<b>Width_Lung_H (H with turned parts)</b>	720 x 535 _ h385 (H470) mm
<b>packaging</b>	740 x 555 _ H525 mm

---

Categories: [Unika](#)

Compatible with the videoprojector series **Panasonic MZ:10\_13\_16K**, **Panasonic MZ:770** and similar.

It is an aluminium tubular profile frame (cross-section 30x30) with iron reinforcement bars, thus combining sturdiness, lightweight and ease of use. This is why it can be used for any PROJECTION type (Landscape, Portrait, Floor) and can adapt to any INSTALLATION method (truss, ceiling, wall and floor).

It is equipped with its own STACKING system:

- A) For floor installation, it is type-tested for 3 cages:
- B) For hanging installation, up to 2 cages.

The MICROMETRIC adjustment system on 3 rotation axes is based on the KITE system fastened to the structure (which can be easily removed without any tools, so that it can be used also without cage):

- C) +/- 3° pitching;



D) +/- 3° roll;

E) +/- 4° yaw.

Together with the cage, you can order the FLIGHT-CASE (Cod:22825) to host the cage itself and is also equipped with an additional compartment 15x50x43cm which can also be divided by ordering a partition wall (Cod: 22827), up to maximum 2 partition walls.

[REQUEST A QUOTE](#)

x

## REQUEST A QUOTE

Nome \*

Cognome \*

Azienda \*

Email \*

Messaggio \*

Ho letto l'informativa sulla Privacy Policy e autorizzo il trattamento dei dati personali (\*)

[Leggi la nostra Privacy Policy](#)

Invia

x





## GALLERY

