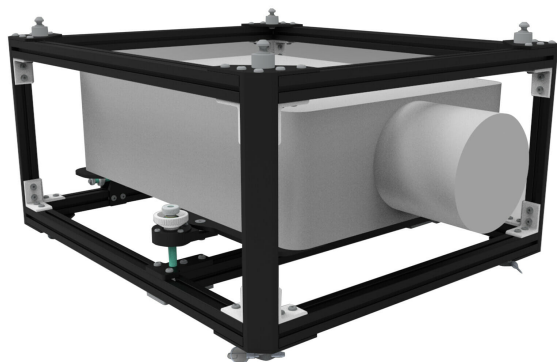




UNIKA 40 BETA – SONY VPL – GTZ380

SKU: 22123



Material	Aluminum with iron reinforcements
Profile section	40 mm
Pitch	+/-3°
Roll	+/-3°
Yaw	+/- 5°
Cage dimensions	
Width_Lung_H (H with turned parts)	780 x 910 _ 420 (510) [mm]
packaging	800 x 930 _ h590 [mm]

Categories: [Unika](#)

Compatible with the videoprojector series and similar

It is an aluminium tubular profile frame (cross-section 40x40) with iron reinforcement bars, thus combining sturdiness and ease of use. This is why it can be used for any PROJECTION type (Landscape, Portrait, Floor) and can adapt to any INSTALLATION method (truss, ceiling, wall and floor).

It is equipped with its own STACKING system:

- A) For floor installation, it is type-tested for 3 cages;
- B) For hanging installation, up to 2 cages.

The MICROMETRIC adjustment system on 3 rotation axes is based on the knob system, fastened to the structure (which can be easily removed without any tools, so that it can be used also without cage):

- C) +/- 3° pitching;



D) +/- 3° roll;

E) +/- 5° yaw.

Together with the cage, you can order the FLIGHT-CASE:

- Cod: 22670 standard size with additional inner 40x17x8 cm drawer;
- Cod: 22815 to host the cage itself and is also equipped with an additional compartment 15x76x47cm which can also be divided by ordering a partition wall (Cod: 22827) up to maximum 2 partition walls.

[REQUEST A QUOTE](#)

×

REQUEST A QUOTE

Nome *

Cognome *

Azienda *

Email *

Messaggio *

Ho letto l'informativa sulla Privacy Policy e autorizzo il trattamento dei dati personali (*)

[Leggi la nostra Privacy Policy](#)

Invia



x



GALLERY

