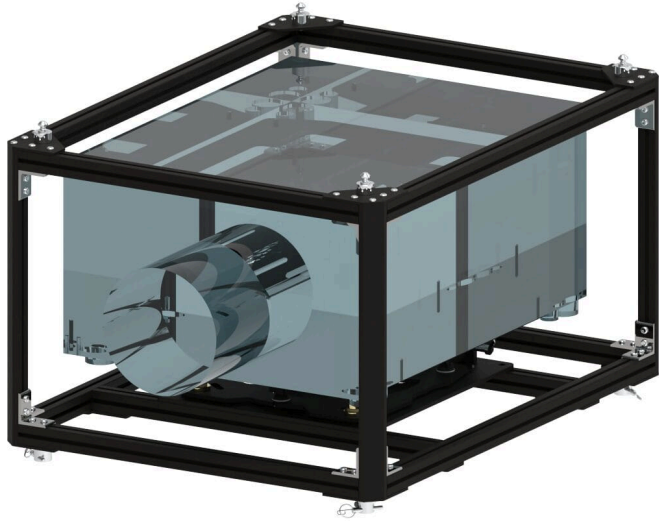




## UNIKA DELTA CHRISTIE GRYFFIN

SKU: 24902



<b>Material</b>	Iron – Aluminum
<b>Profile section</b>	40 mm
<b>Pitch</b>	+/-3°
<b>Roll</b>	+/-3°
<b>Yaw</b>	+/- 5°
<b>Cage dimensions</b>	
<b>Width_Lung_H (H with turned parts)</b>	830 x 1080 _ 567 (667) [mm]
<b>packaging</b>	850 x 1115 _ h680 [mm]

---

Categories: [Unika](#)

Compatible with the videoprojector series and similar.

It is an aluminium tubular profile frame (cross-section 40×40) with iron reinforcement bars, thus combining sturdiness and ease of use. This is why it can be used for any PROJECTION type (Landscape, Portrait, Floor) and can adapt to any INSTALLATION method (truss, ceiling, wall and floor).

It is equipped with its own STACKING system:

- A) For floor installation, it is type-tested for 3 cages;
- B) For hanging installation, up to 2 cages.

The MICROMETRIC adjustment system on 3 rotation axes is based on the knob system, fastened to the structure (which can be easily removed without any tools, so that it can be used also without cage):

- C) +/- 3° pitching;
- D) +/- 3° roll;



E) +/- 5° yaw.

[REQUEST AN OFFER](#)

x

## REQUEST AN OFFER

Nome \*

Cognome \*

Azienda \*

Email \*

Messaggio \*

Ho letto l'informativa sulla Privacy Policy e autorizzo il trattamento dei dati personali (\*)

[Leggi la nostra Privacy Policy](#)

Invia

x



## GALLERY

